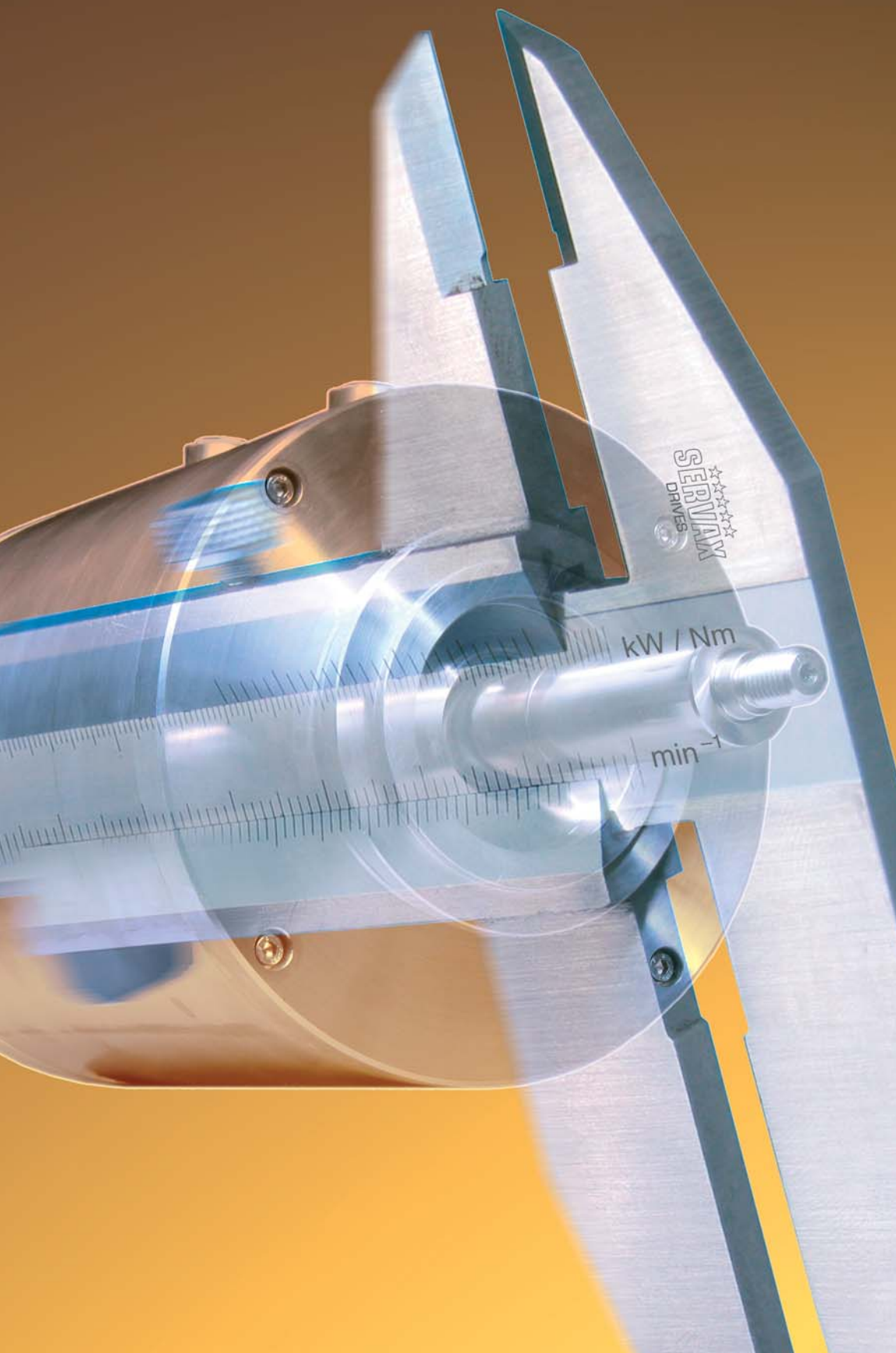


Power at Work!

SERVAX  
Customized Drives



★★★★★  
**SERVAX**  
DRIVES

## SERVAX Drives move the world

Our customers are manufacturers (OEMs) of total systems in a variety of market segments. SERVAX electric drives are therefore used in a wide range of machinery all over the world.



### Engineering



### Production



### Quality Control



# HOW

## Your partner for drive solutions – full scope from one source

Our development and design specialists create your drive solution using a combination of standardized and proven technology modules. In the design process, we implement state-of-the-art calculation tools.

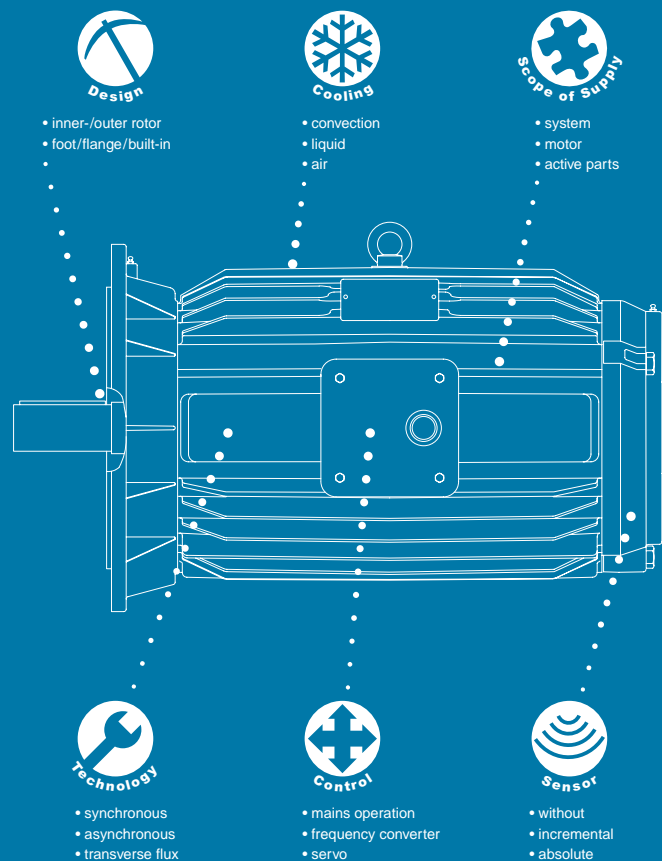
## Your Wish – Our Drive

The broad manufacturing range of our means of production is a core competence of SERVAX Drives, which enables us to realize customized drives quickly and economically. In addition to offering our 80 years of experience, we also have our own punching machines, which can be used to manufacture almost any conceivable motor geometry. Performance data is verified in our own modern test bench.

### Test Bench



The result: A drive exactly customized to your requirements.





## Light

Gliding through the air silently and without polluting the environment: this glider with a swivel propeller is driven by a light, low-noise, High Torque electric motor made by SERVAX.



## Precise

The highest levels of productivity and reproduction quality for CD coating equipment. A typical application for our direct drive range – the SERVAX High Torque drives. Also available with a hollow shaft.

## High Torque



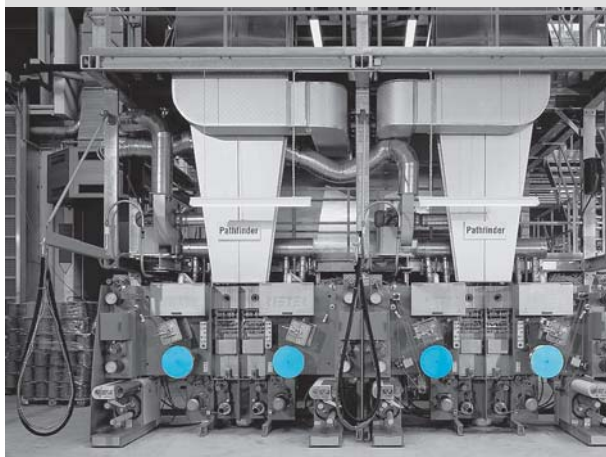
SERVAX High Torque drives are slow running, gearless direct drives. These maintenance-free systems have been developed for the precise positioning of loads and consist of a direct drive motor with integrated sensors as well as a state-of-the-art servo drive that can be linked to practically any environment (CANopen, Profibus, input/output modules).

More information:  
[www.servax.com/hightorque](http://www.servax.com/hightorque)

# Customized Drives –

## Diverse

Our customers demand perfect integration of the main spindle drive into the machine environment at economically attractive conditions – also for smaller batch sizes. SERVAX High Speed motors offer the machine manufacturer additional room for manoeuvre in the search for optimum drive solutions.



## Reliable

The manufacture of top-quality synthetic yarns places particular demands on the quiet running and reliability of the godet drives used by this textile machinery. That is why SERVAX High Speed motors are first choice for many machinery manufacturers.

## High Speed



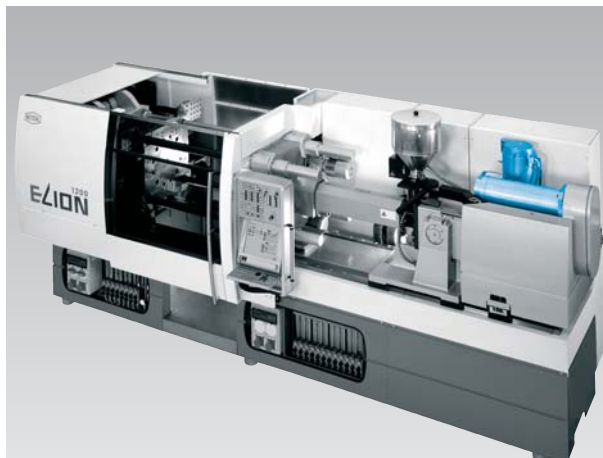
The SERVAX High Speed range comprises motor elements in both synchronous and asynchronous design. The rotor/stator elements are mounted directly into our customers' machines and thus facilitate extremely compact and dynamic drive solutions. SERVAX High Speed motors can be operated with various types/makes of frequency converters.

More information:  
[www.servax.com/highspeed](http://www.servax.com/highspeed)

# - This Is Our Stan

## Clean

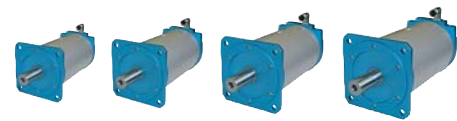
The manufacture of medicinal components in clean-rooms requires the injection moulding systems to have a high level of cleanliness and reliability. SERVAX High Power drives therefore enjoy an excellent reputation in this industry.



## Robust

Relaxed travelling in high-speed trains – hardly conceivable without precisely ground rails. This grinding train is equipped with specially reinforced High Power electric motors made by SERVAX.

## High Power



The SERVAX High Power range consists of liquid-cooled motors in a synchronous or asynchronous design. The outstanding features of these motors are their extremely high power density, their quiet running – even at high speeds – and also their operational reliability under extreme conditions (e.g. temperature, dirt).

More information:  
[www.servax.com/highpower](http://www.servax.com/highpower)

## Different Requirements – One Address

Customized drive solutions will, on account of their positive cost/return ratio, always find applications in innovative machine designs. Different requirements of our customers are satisfied by building customized solutions through a combination of standardized and proven technology modules. This is why SERVAX has become a reliable partner for electric drives in various industries, for example in

- textile machinery
- machine tools
- rail vehicles
- machinery for the processing of stone, marble and concrete
- printing machinery
- glass production facilities
- die-casting and injection moulding machinery
- chemical engineering plants
- vacuum pumps



## Clever

A high level of both personnel protection and machine productivity requires intelligent solutions for the protective door actuators used in machine tools, die-casting and injection moulding machinery. SERVAX Door Actuators increase machine productivity and can even detect obstacles. Clever, isn't it?

## Door Actuator



SERVAX Door Actuators are intelligent direct drive solutions for the controlled opening and closing of horizontal and vertical doors and flaps fitted to machine tools, die-casting, injection moulding and punching machinery. Automatic door actuators are used to increase machine productivity. Furthermore, SERVAX also improves personnel protection through the integration of obstacle detection features.

More information:  
[www.servax.com/dooractuator](http://www.servax.com/dooractuator)



**SERVAX**

Landert Motoren AG  
CH-8180 Bülach-Zürich  
Phone +41 (0)44 863 51 11  
Fax +41 (0)44 860 65 22  
[www.servax.com](http://www.servax.com)  
[info@servax.com](mailto:info@servax.com)

SERVAX is a division  
and a registered  
trademark of  
Landert Motoren AG

